

The background of the slide is a photograph of a white door with a black handle and a lock mechanism. The door is slightly ajar, revealing a room with several colorful binders (green, yellow, and grey) on a shelf. A small, oval-shaped lock indicator with two green arrows pointing outwards is visible on the door's surface.

XLOCK 10

Mifare Flex

INSTALLATION GUIDE



XLOCK 10

MifareFlex

- Fixcode
- Freelocker

PACKAGING CONTENTS

Lock
XL10



3 x countersunk screws
3,5 x 40 mm

Closing part
XL-S2

4 x screws for closing part
Lens head 3 x 12 mm.



Warning:

Closing part S2
- Please order separately. You will find all informations about the different closing parts on the next page

Battery
CR123A 3V lithium

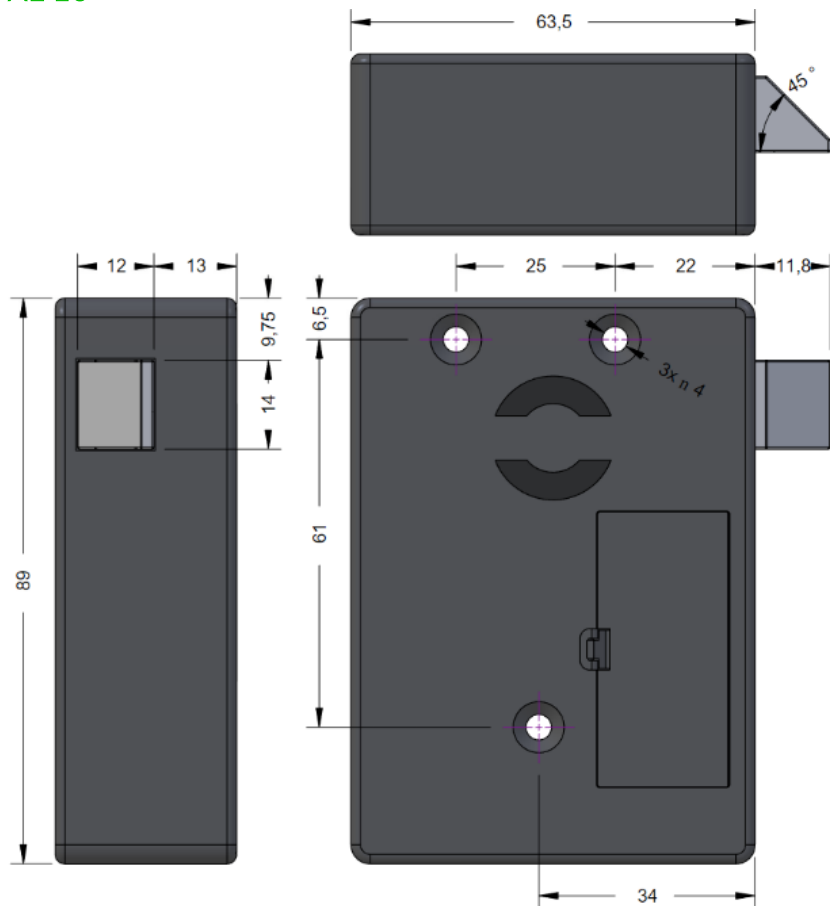


Warning:

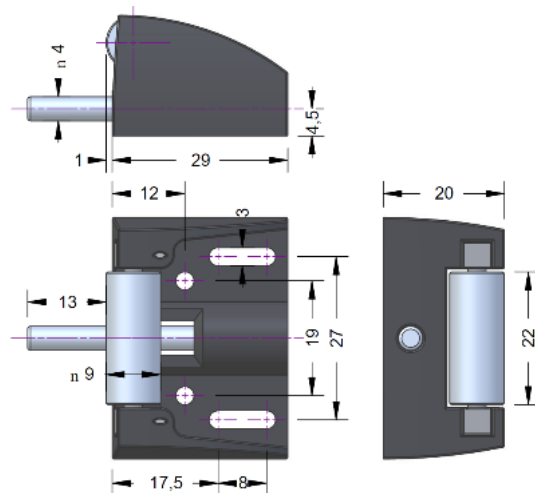
1 pc. lithium battery
Please order separately

XLOCK 10 DIMENSIONS

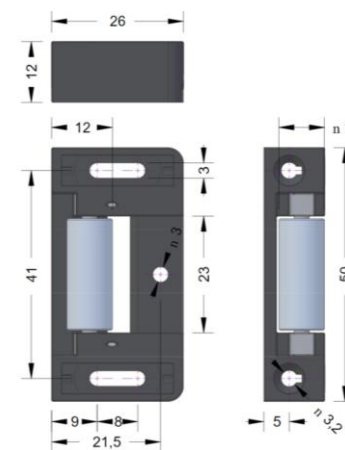
Lock
XL 10



Closing part (optional)
XL-S2



Closing part (optional)
XL-S1



XLOCK 10 LATCH POSITIONING & ANTENNA POSITIONING

Standard Latch
F1



Latch
F2



Latch
F3



Latch
F4



Standard Reader positioning
A1



Important:
Always check
Reader distance!

Reader positioning
A2



Antenna positioning
A3



XLOCK 10 CLOSING PARTS

Optional ! Please order seperately.



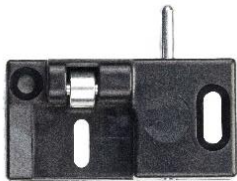
XLOCK closing Part
with ejector
XL-S2
All-metal roll
predetermined breaking point



XLOCK closing part
XL-S1
All-metal roll
predetermined breaking point



Closing part
XL-S5
suitable for F10 adapter
adjustable locking part for glass
doors 4-6mm



XLOCK closing part
with ejector
XL-S0



XLOCK closing part
XL-ZS4-B
All-metal roll
3 attachment points



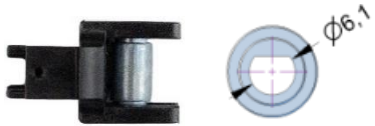
XLOCK closing part
XL-S2B
All-metal roll
predetermined breaking point



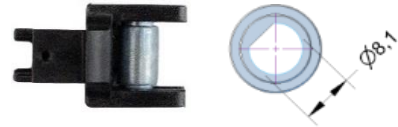
XLOCK closing part
XL-ZS4-B
All-metal roll
2 attachment points

XLOCK 10 FALLENADAPTER

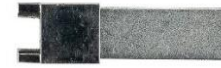
Optional ! Please order seperately.



Adapter for espagnolette bolt
XL-F8
6mm roll with recess



Adapter for espagnolette bolt
XL-F9
8mm roll with recess



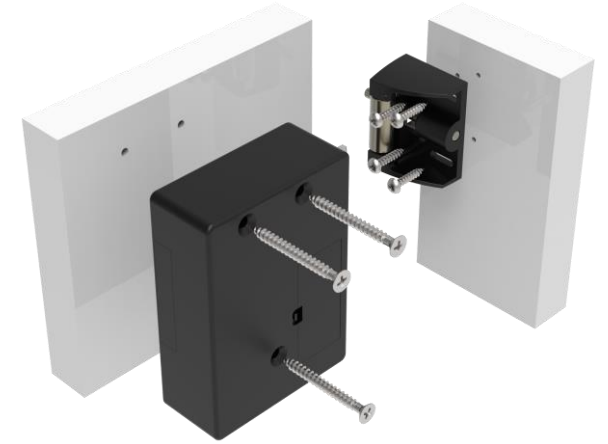
Latch Adapter
XL-F6
flexible bolt foot made of solid metal with
screwed sheet metal part



Adapter for Glas vitrine doors
XL-F10
Diversion unit 90°



XLOCK 10 INVISIBLE INSTALLATION - ANTENNA IN THE LOCK (Mifare® Classic 4 Byte)



Important!

The reading distance depends on the material of the door and the transponder. In case of concealed installation, the reading distance must be checked before mounting.

The optimum RFID reading distance for Mifare® Classic key fobs is up to 22mm +/-3mm.

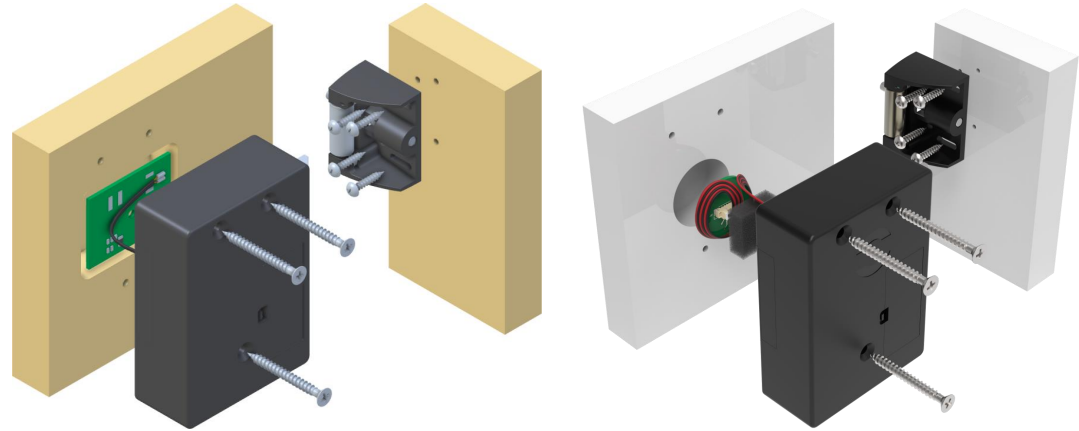


Important!

The reading distance depends on the material of the door and the transponder. In case of concealed installation, the reading distance must be checked before mounting.

The optimum RFID reading distance for Mifare® Classic key fobs is up to 22mm +/-3mm.

XLOCK 10 INVISIBLE INSTALLATION – COUNTERSUNK ANTENNA (Mifare® Classic & Mifare® Desfire)



Important!

The reading distance depends on the material of the door and the transponder. In case of concealed installation, the reading distance must be checked before mounting.

The optimal RFID reading distance for Mifare® Classic 4 Byte key fobs is up to 22mm +/-3mm.



Important!

The reading distance depends on the material of the door and the transponder. In case of concealed installation, the reading distance must be checked before mounting.

The optimal RFID reading distance for Mifare® Classic 4 Byte key fobs is up to 22mm +/-3mm.

External antenna A3 with casing

Optional ! Please order seperately.



Ideal reading distance



Handle function



Optional with Micro-USB Emergency power supply



Black



White



Silver

External antenna A4 with casing



Ideal reading distance



LED – already used indicator Freelocker



Optional with labelling



White with labelling



Black with labeling



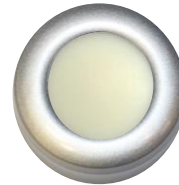
Silver with labeling



White with frosted glass



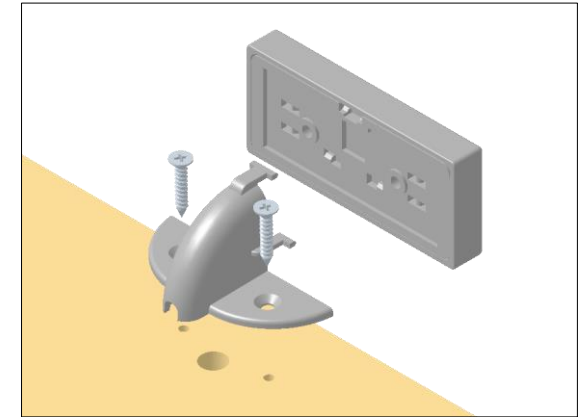
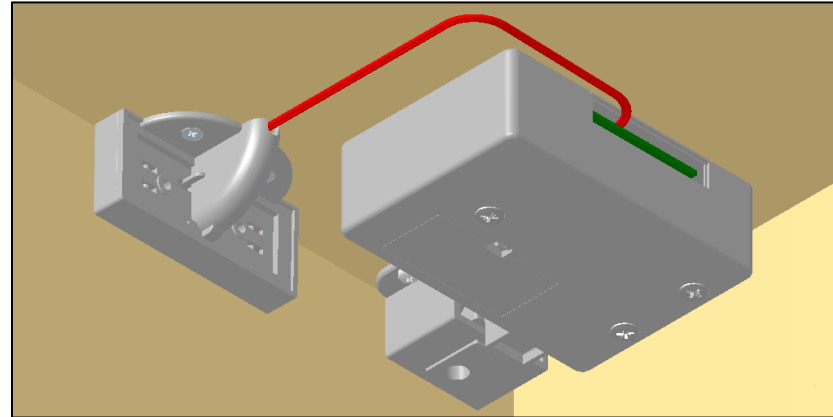
Black with frosted glass



Silver with frosted glass

External antenna A2 with casing

Optional ! Please order seperately.



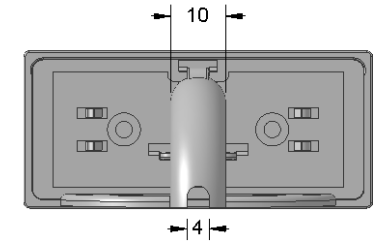
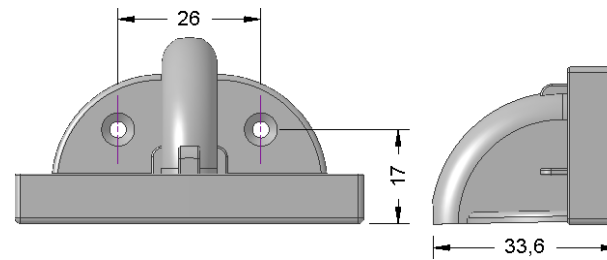
Silver



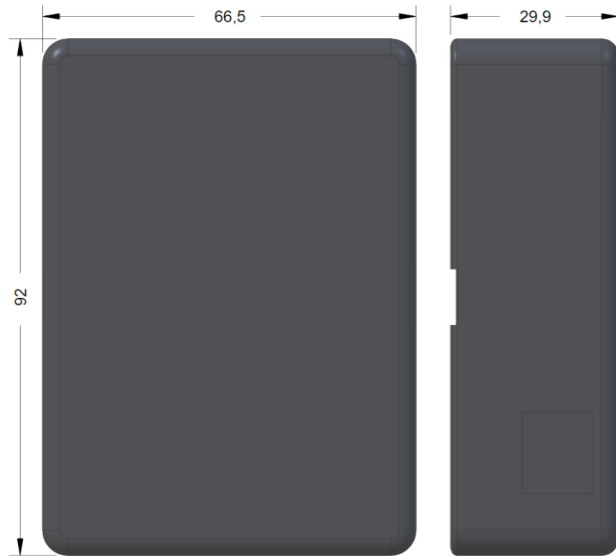
White



Black



XLOCK 10 COVER



The covers of the XLOCK10 are an optional accessory. The cover protects the battery compartment and covers the fastening screws.

Optionally, the covers can be painted in special colours.

Important!

When mounting the lock, please note the additional distance of 1.5mm to the locking part.



Black



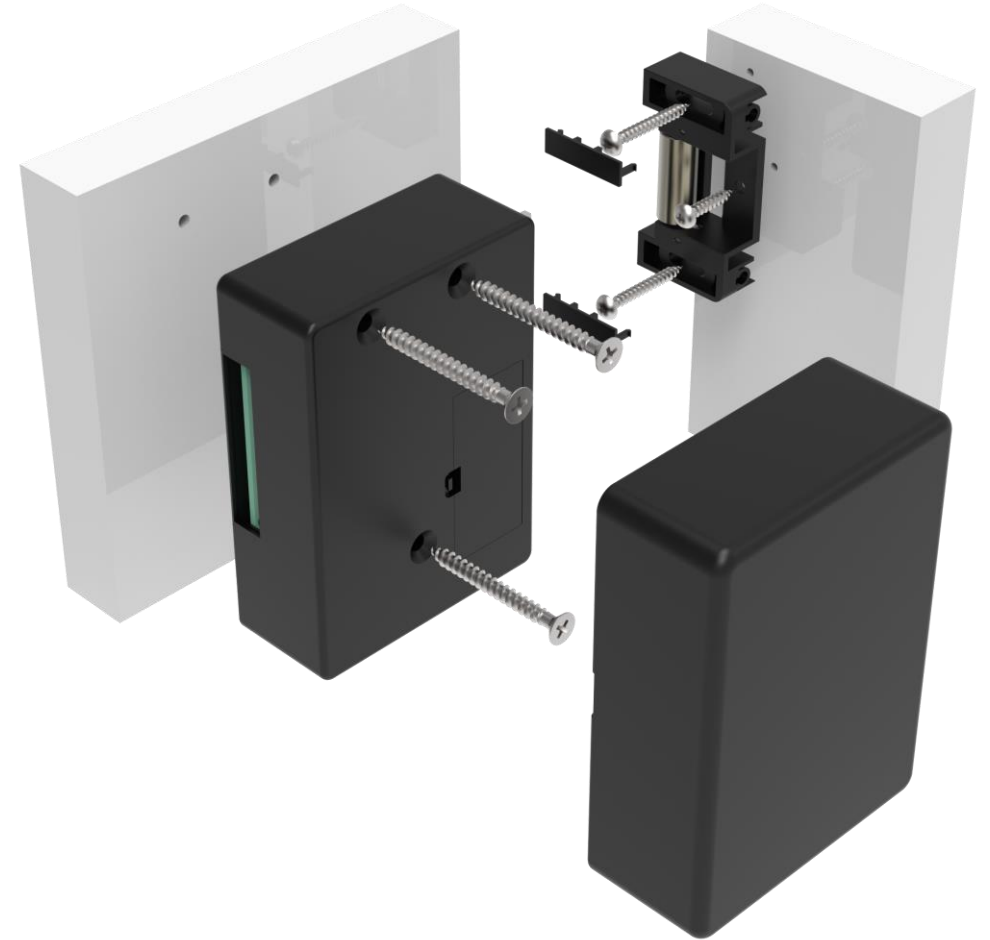
Silver



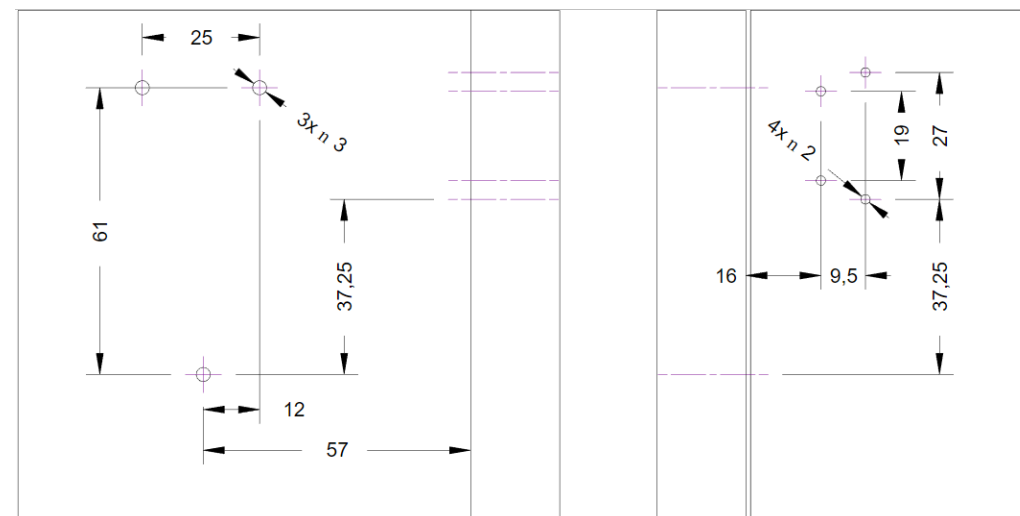
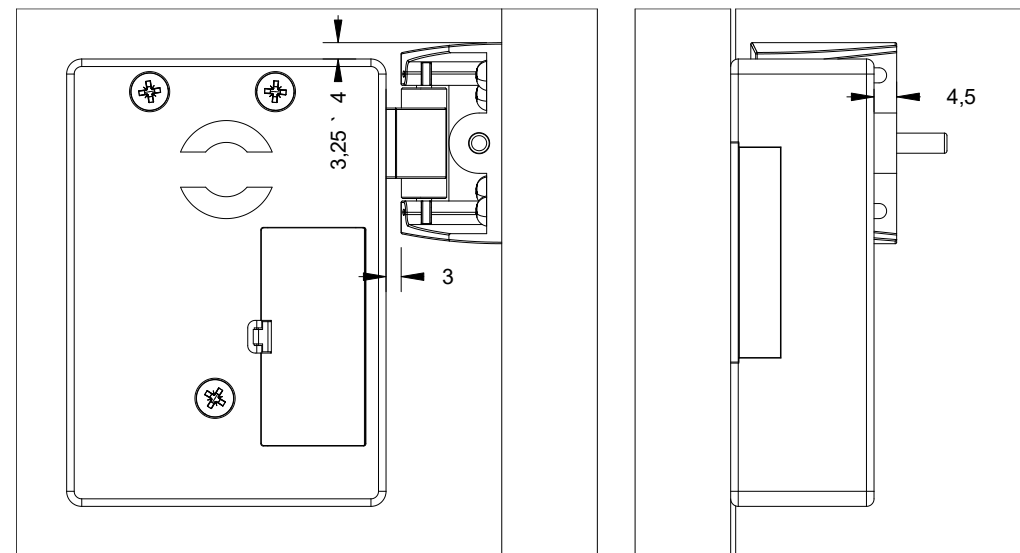
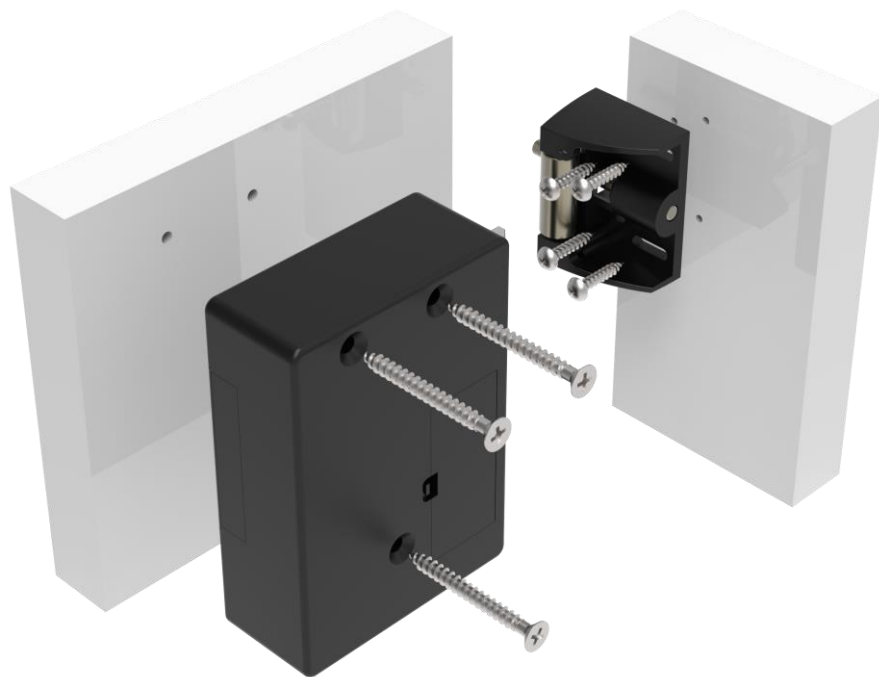
White



Tool
for casing

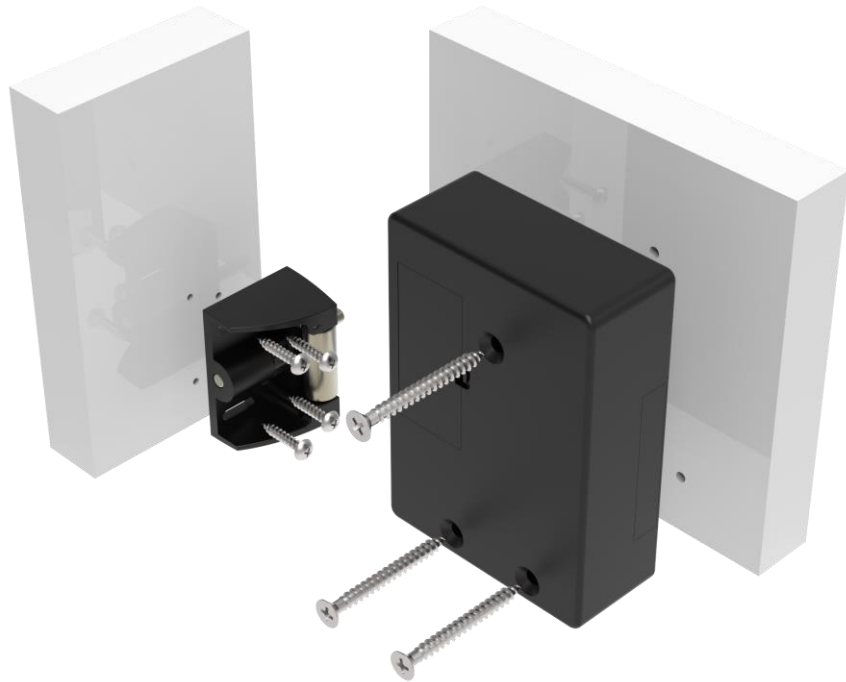


XLOCK 10 INSTALLATION RIGHT DOOR WITH CLOSING PART S2



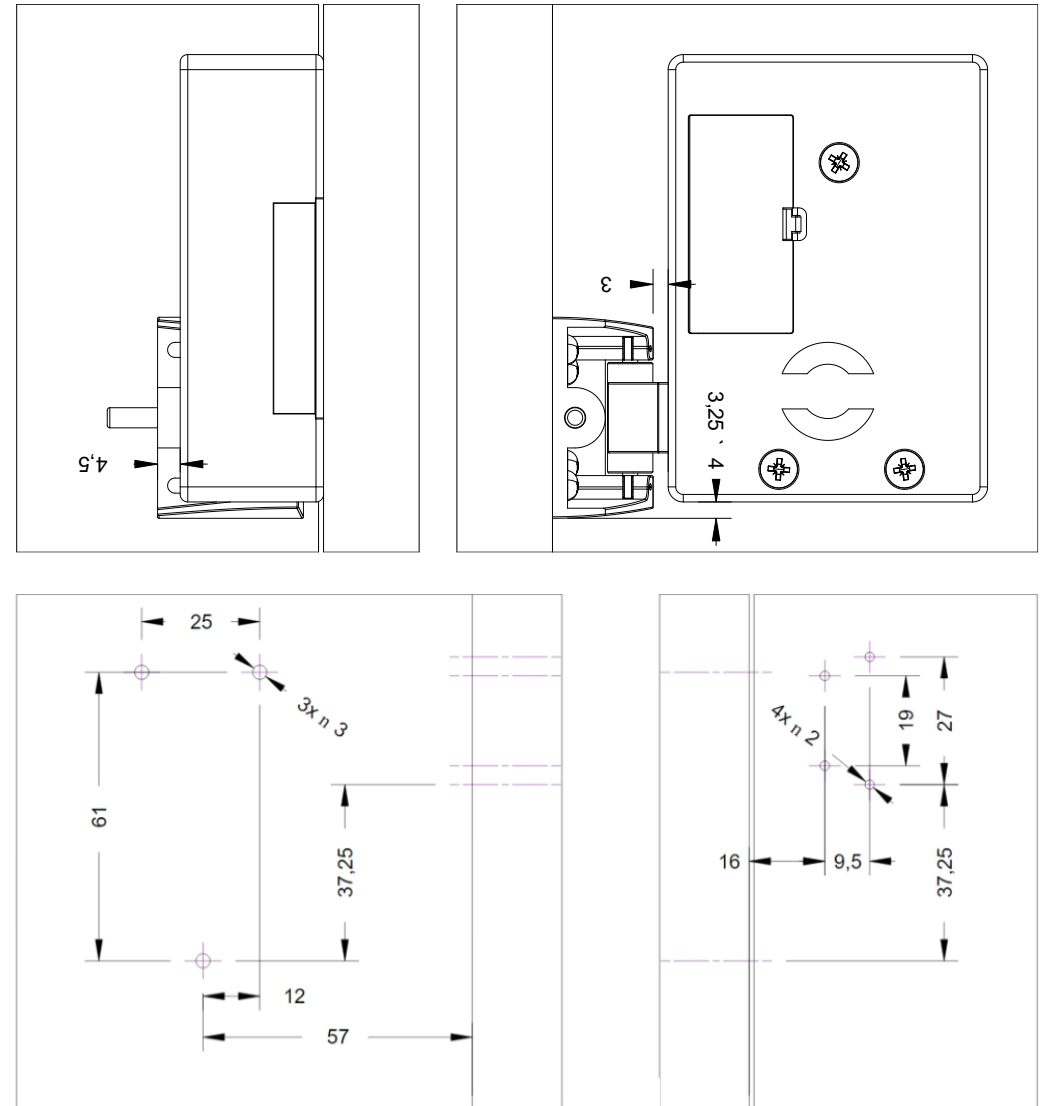
Attaching the lock
Tighten the screws with care and avoid using a drill or cordless screwdriver.

XLOCK 10 INSTALLATION RIGHT DOOR WITH CLOSING PART S2

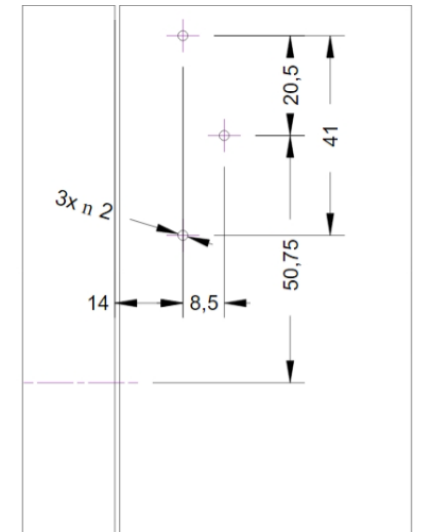
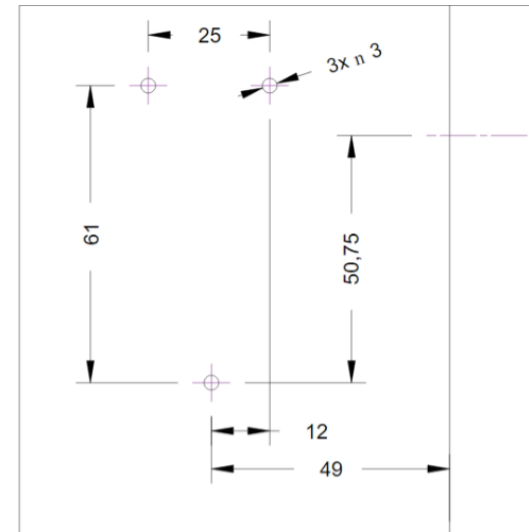
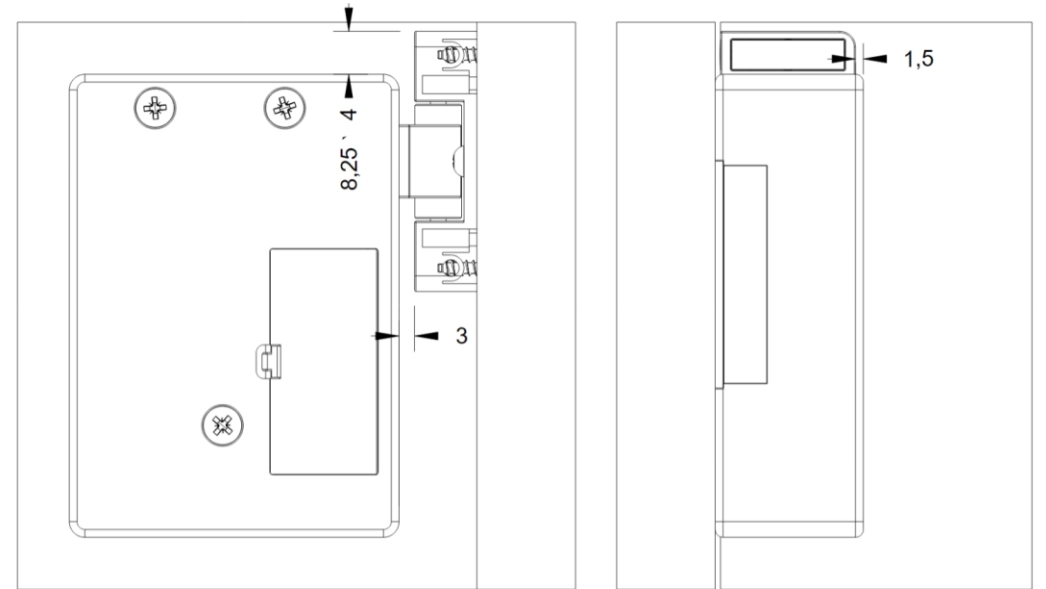
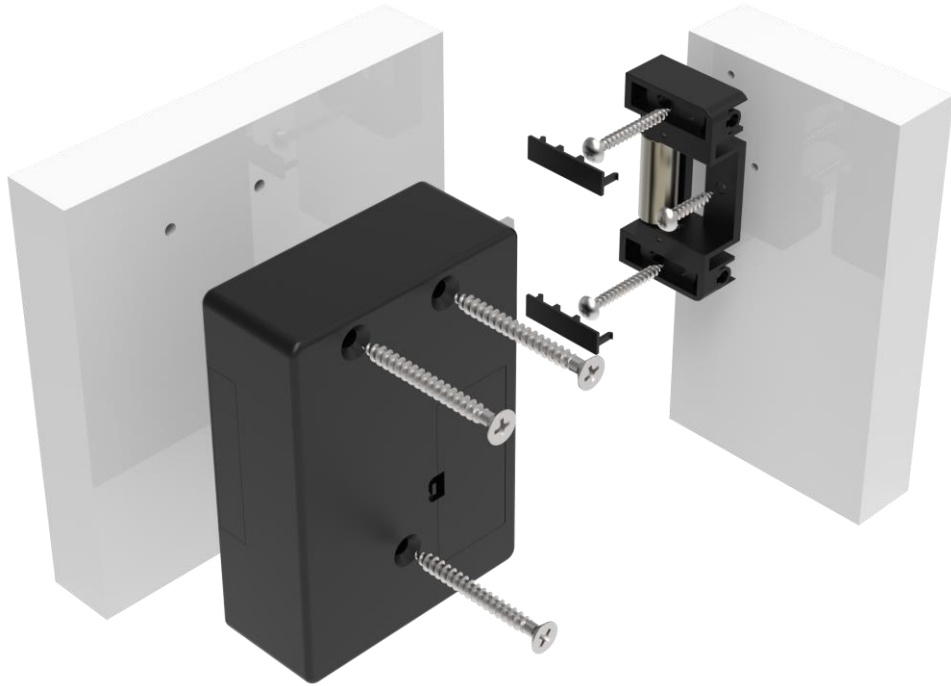


Attaching the lock

Tighten the screws with care and avoid using a drill or cordless screwdriver

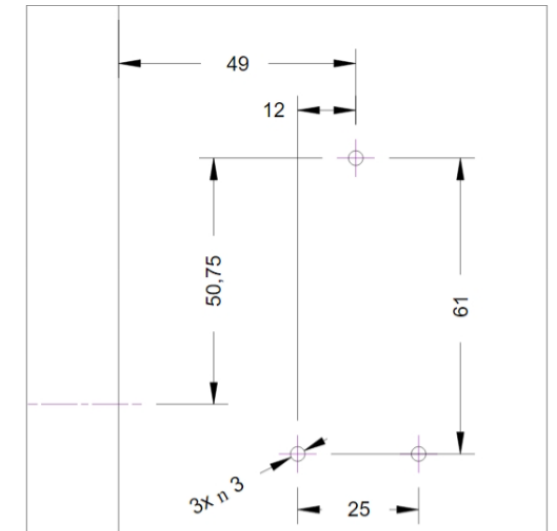
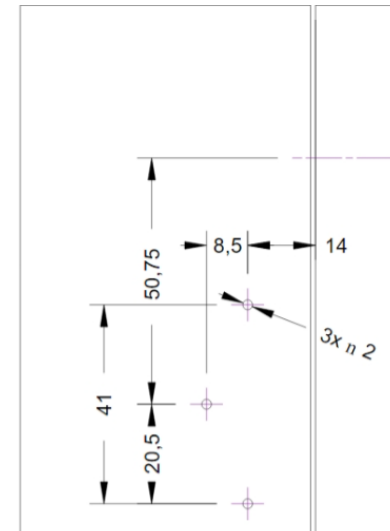
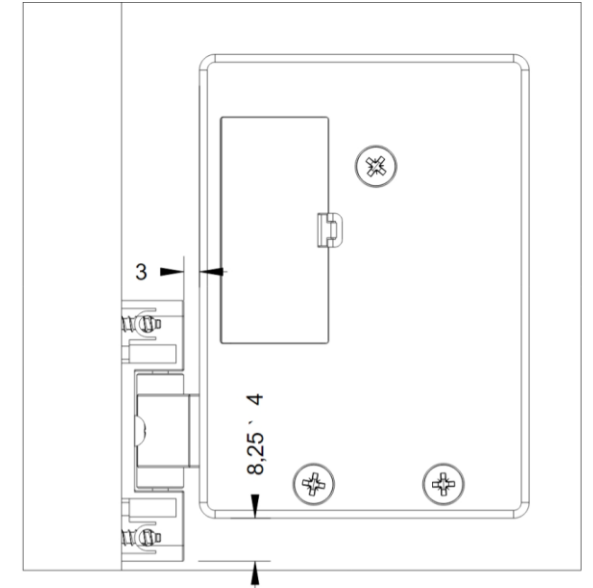
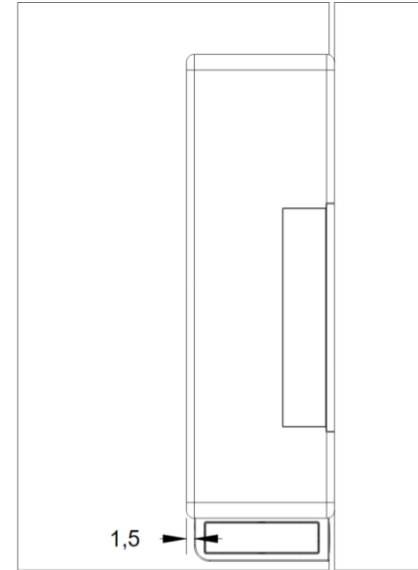
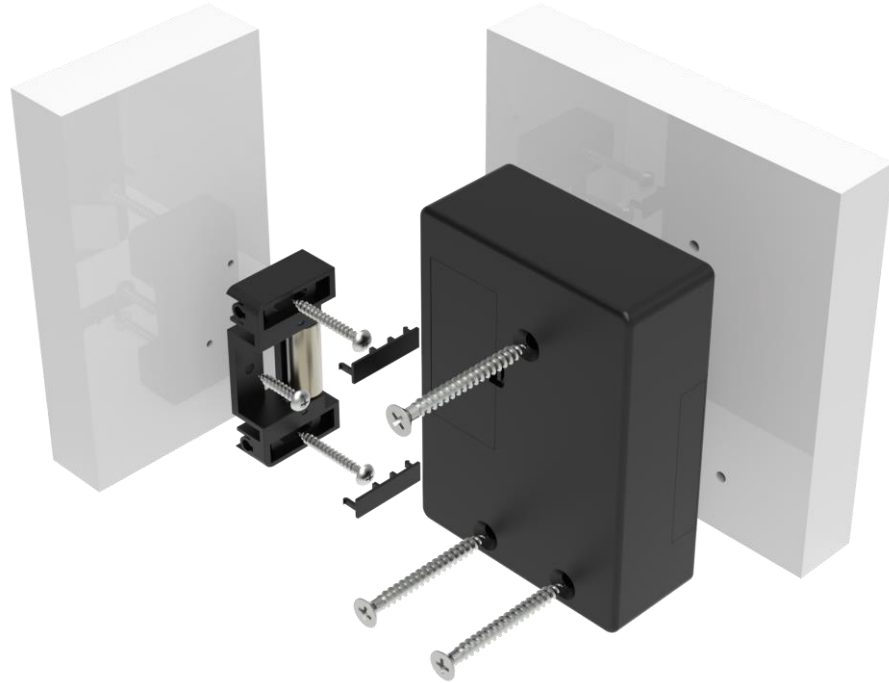


XLOCK 10 INSTALLATION RIGHT DOOR WITH CLOSING PART S1



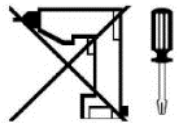
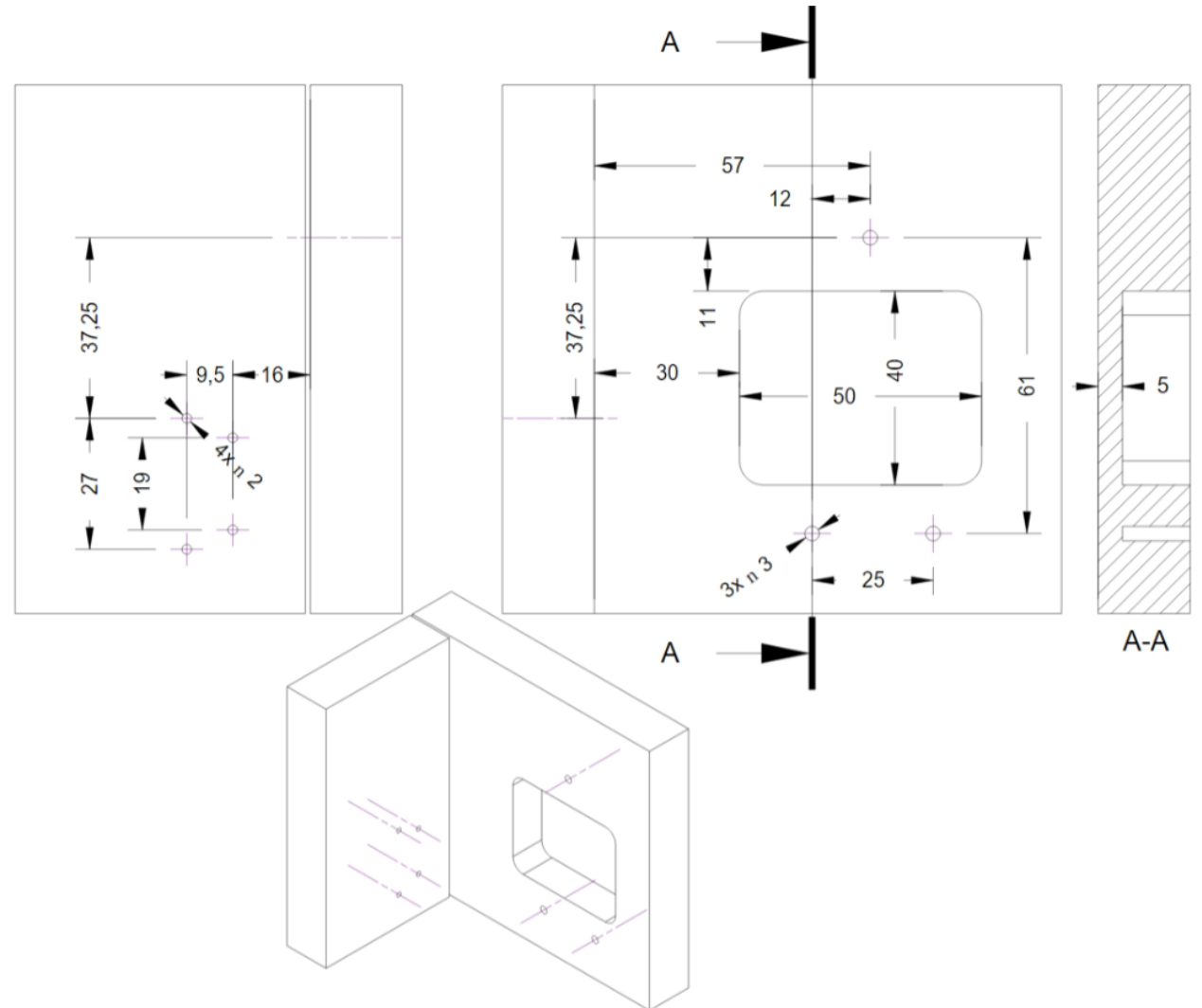
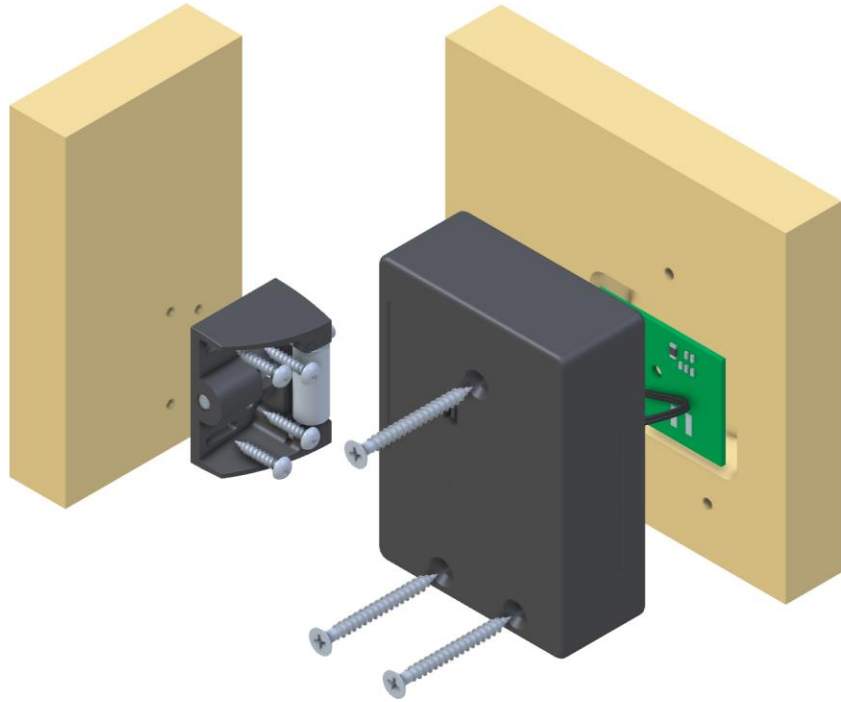
Attaching the lock
Tighten the screws with care and avoid using a drill or cordless screwdriver

XLOCK 10 INSTALLATION LEFT DOOR WITH CLOSING PART S1



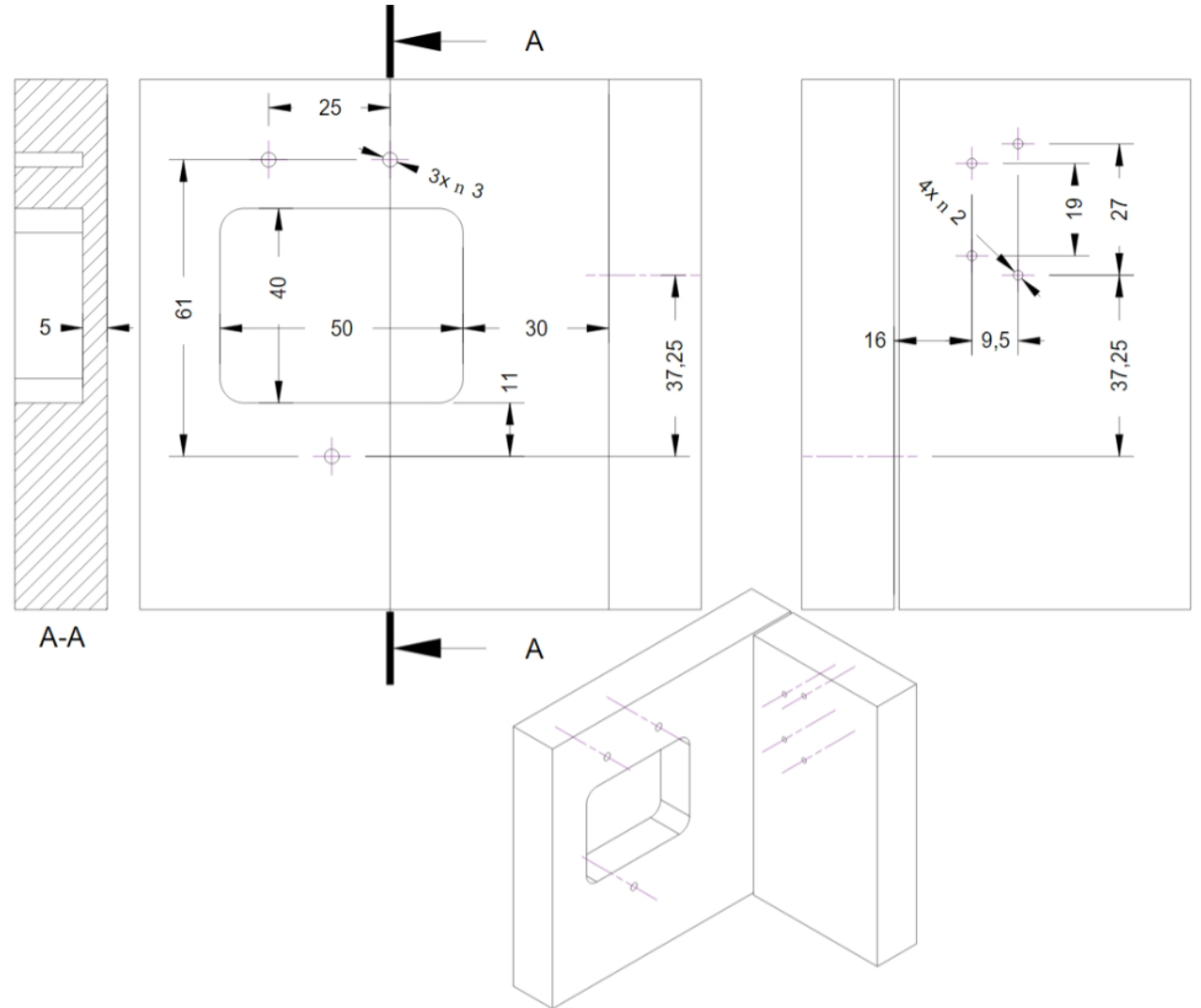
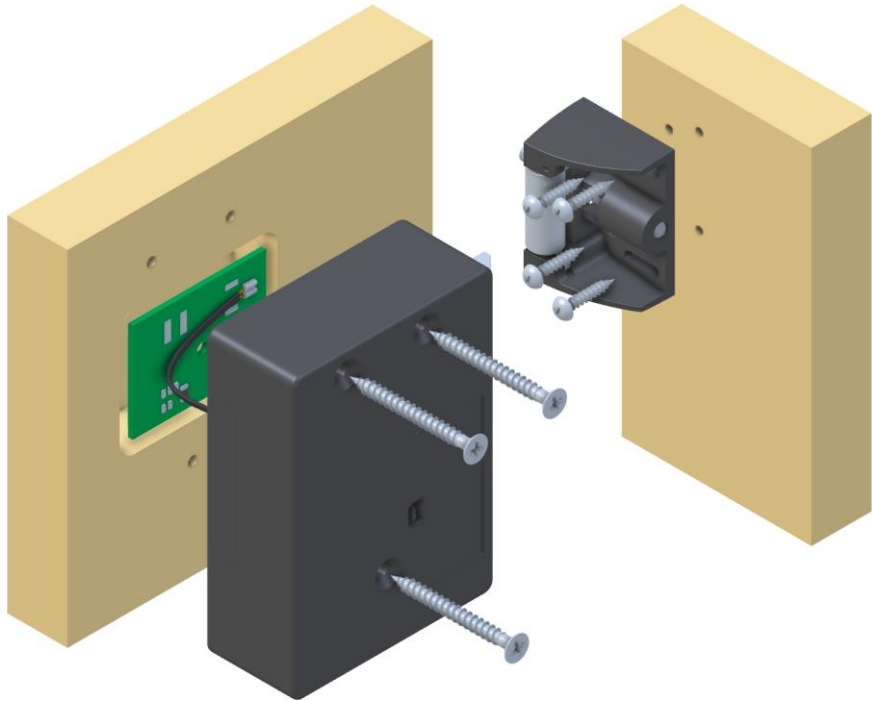
Attaching the lock
Tighten the screws with care and avoid
using a drill or cordless screwdriver

XLOCK 10 INSTALLATION LEFT DOOR ANTENNA RECESSED



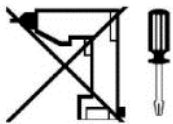
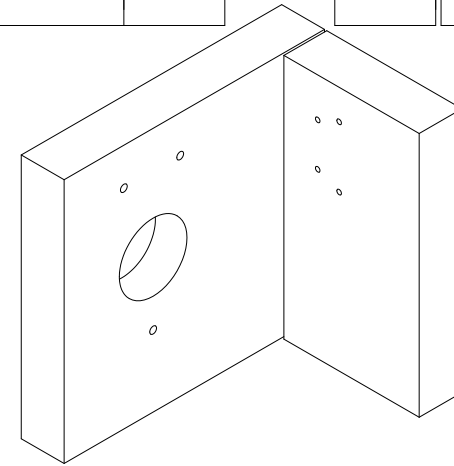
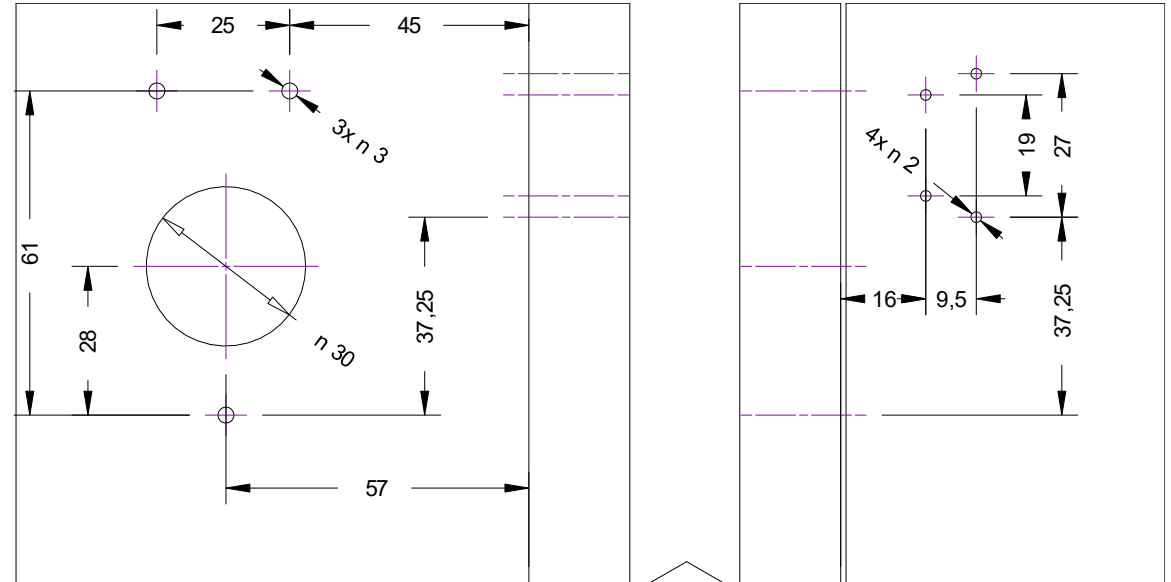
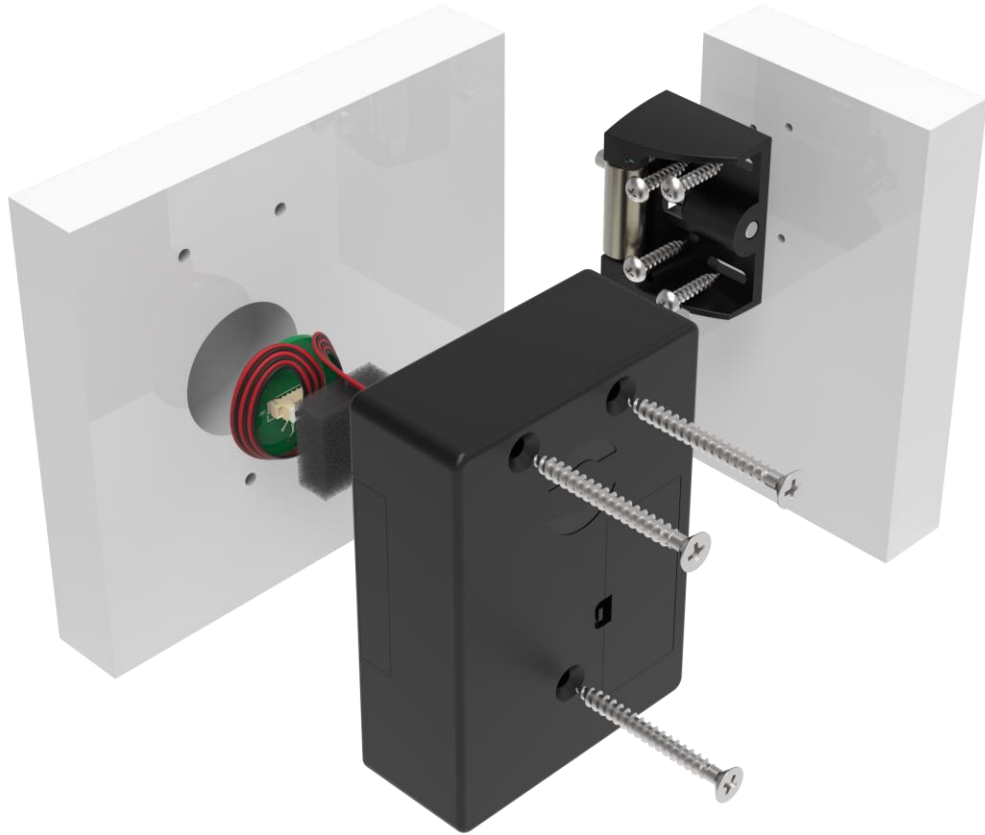
Attaching the lock
Tighten the screws with care and avoid using a drill or cordless screwdriver

XLOCK 10 INSTALLATION RIGHT DOOR ANTENNA RECESSED



Attaching the lock
Tighten the screws with care and avoid
using a drill or cordless screwdriver

XLOCK 10 INSTALLATION RIGHT DOOR ANTENNA RECESSED



Attaching the lock
Tighten the screws with care and avoid
using a drill or cordless screwdriver

XLOCK 10 +Installation set for single-walled sheet metal doors

Lock
XL10 with
rail adapter XL F6



3 x countersunk screws
M4 x 35mm



Attention:
The bending of the staple
plate itself must
be adjusted.

Mounting plate
XL10-M0

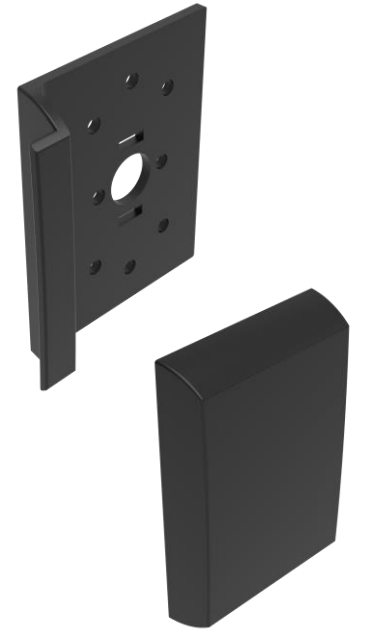


Adapter for A3
XL10-MA3

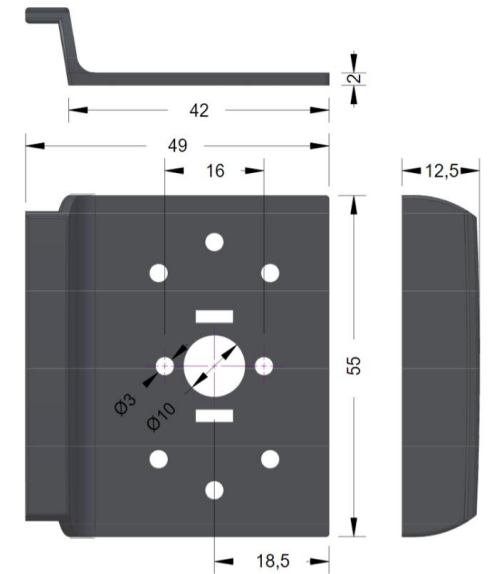
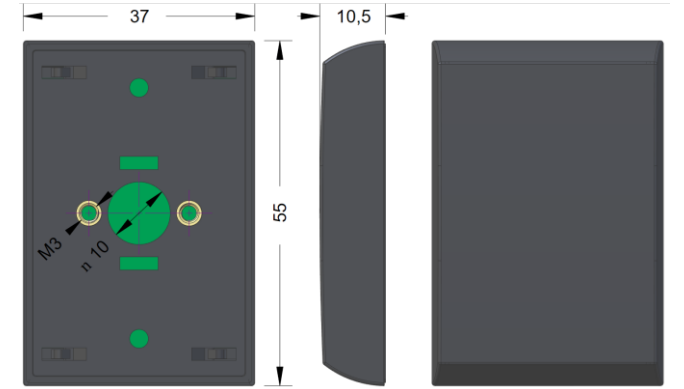
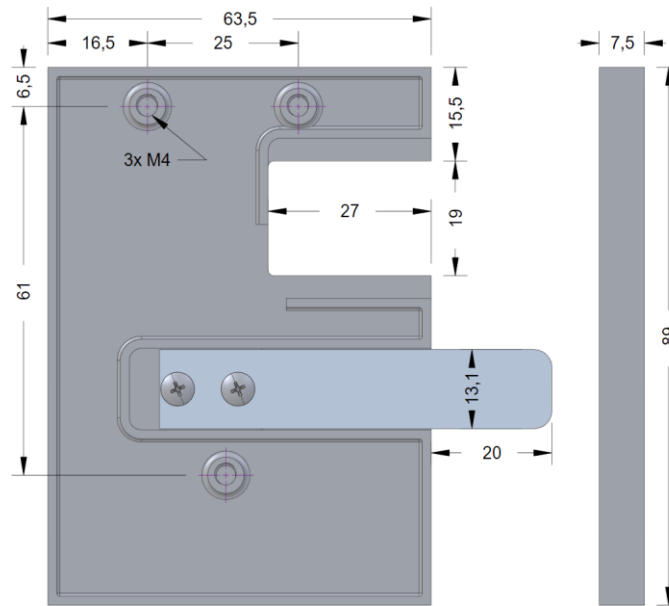
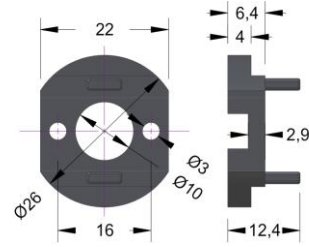
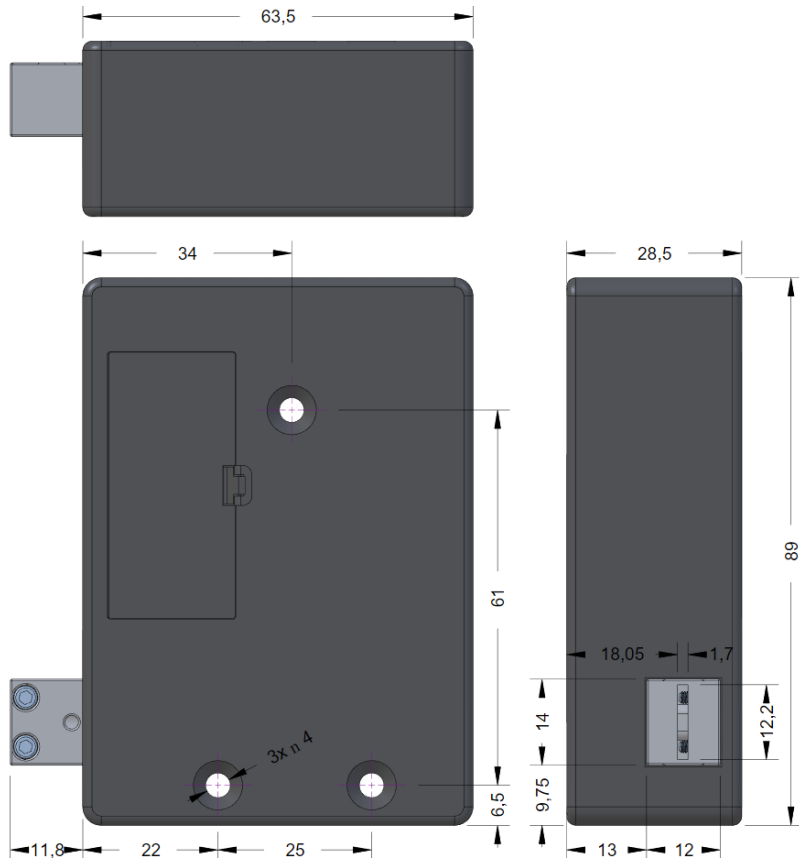


2 x flat head screws
for antenna
M3 x 10mm

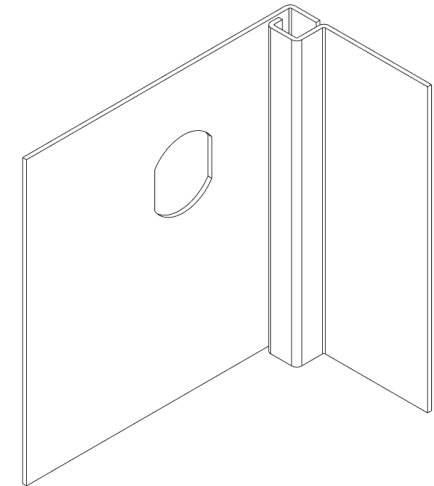
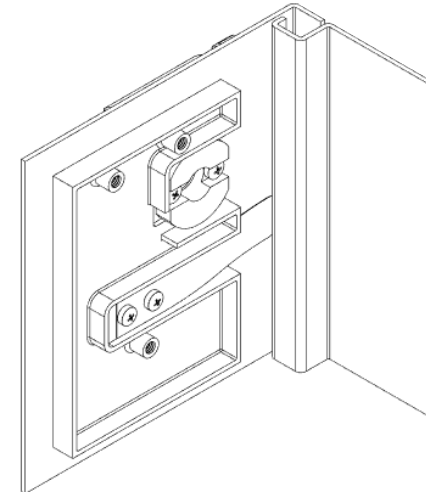
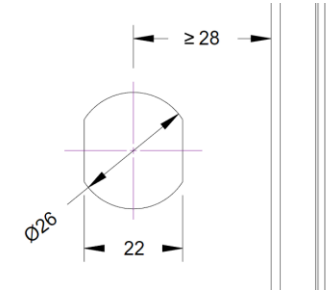
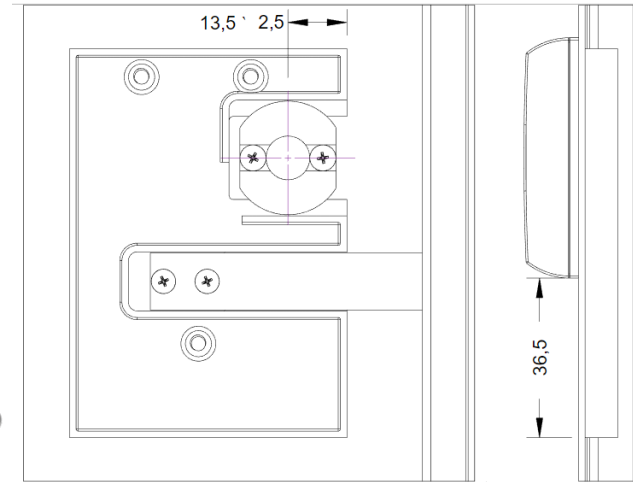
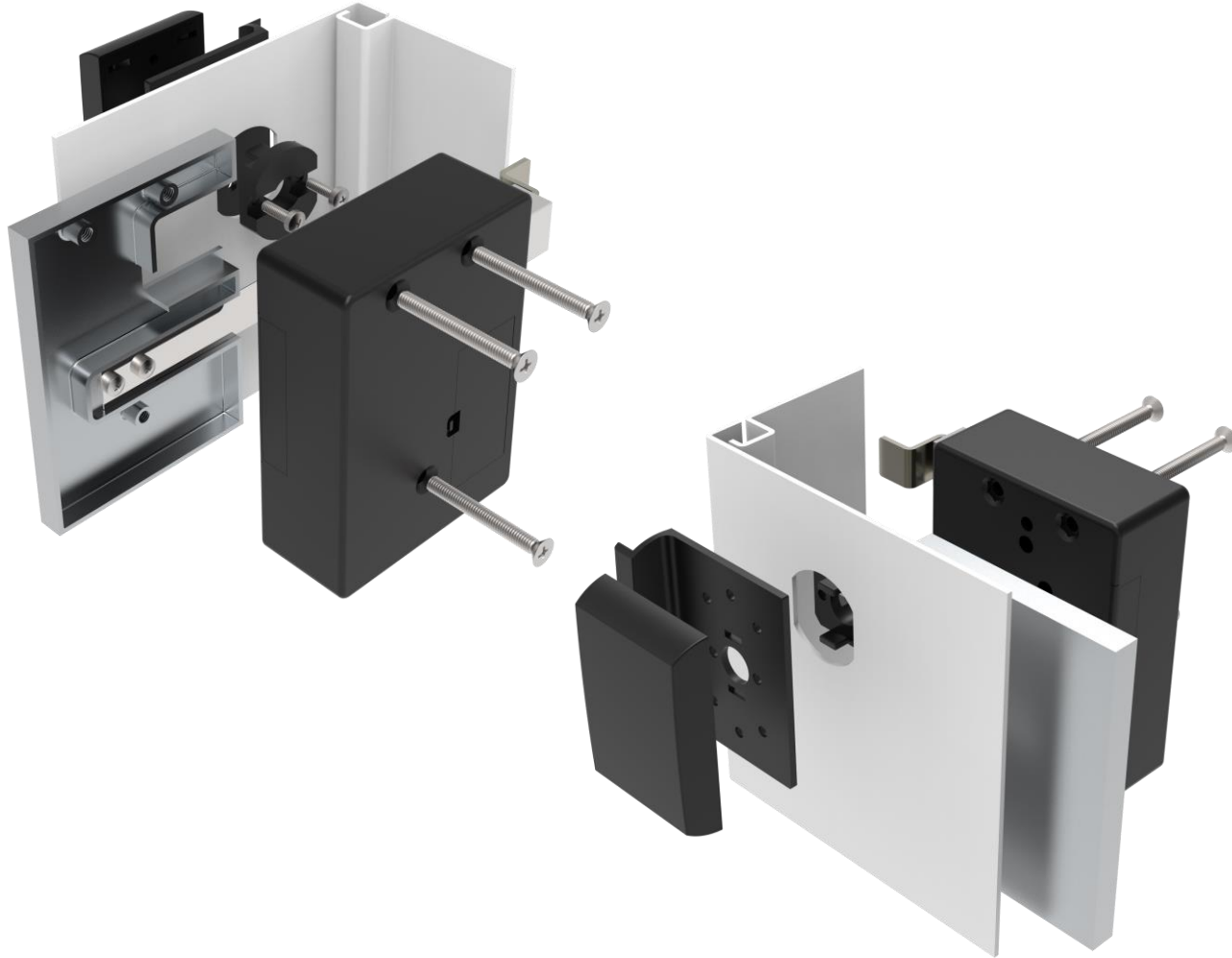
A3 Antenna with handle
XL-A3



XLOCK 10 SHEET METAL INSTALLATION DIMENSIONS

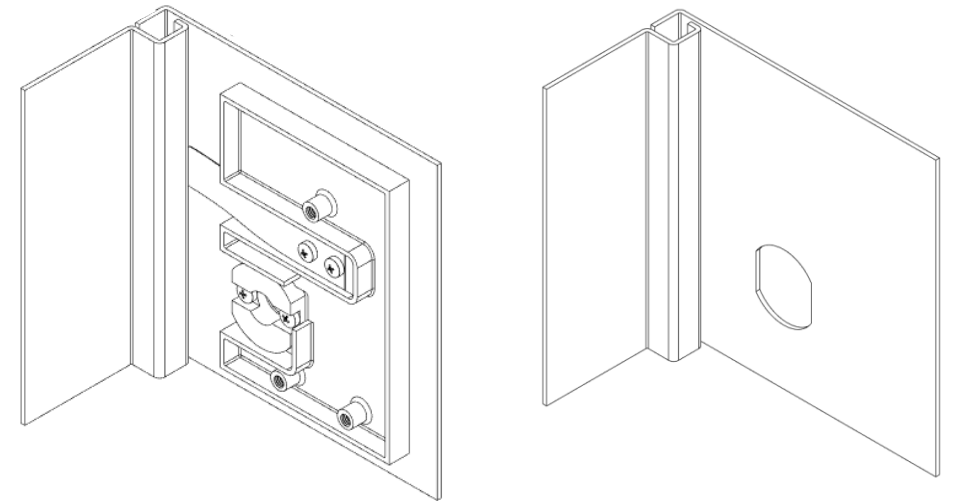
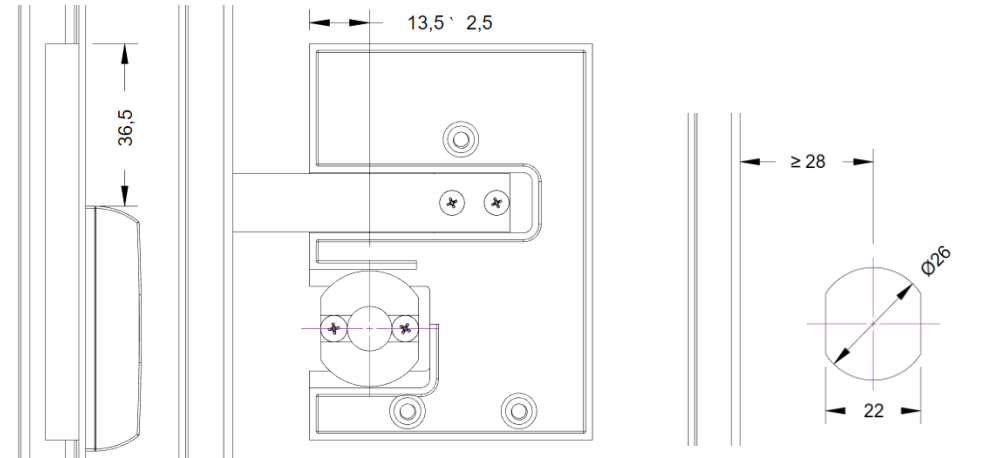


XLOCK 10 RIGHT DOOR SHEET METAL INSTALLATION



Attaching the lock
Tighten the screws with care and avoid
using a drill or cordless screwdriver

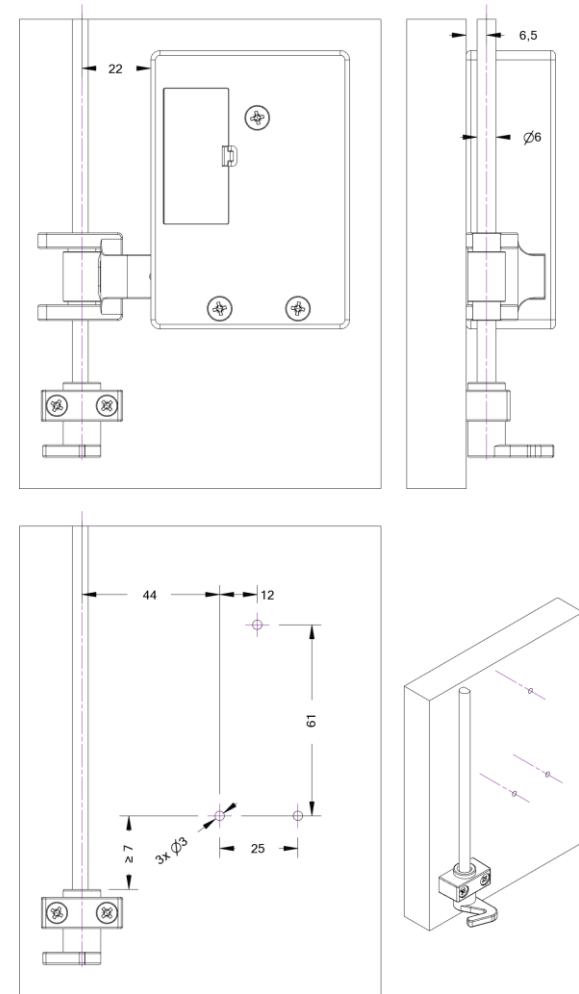
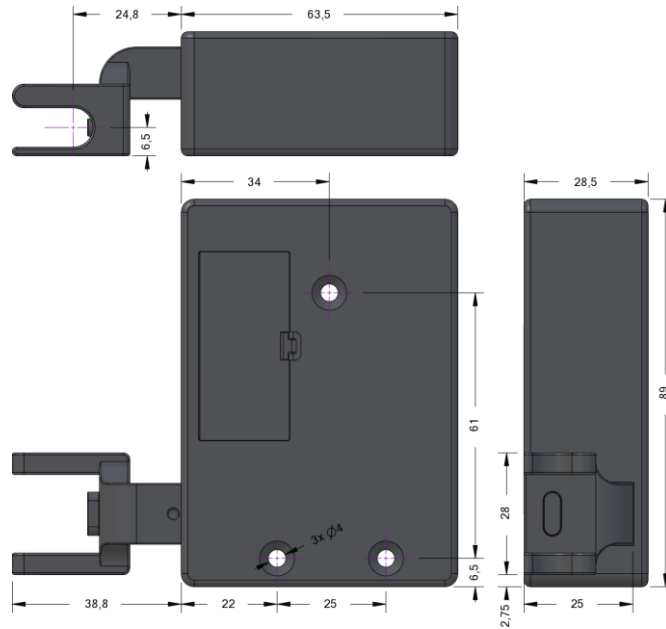
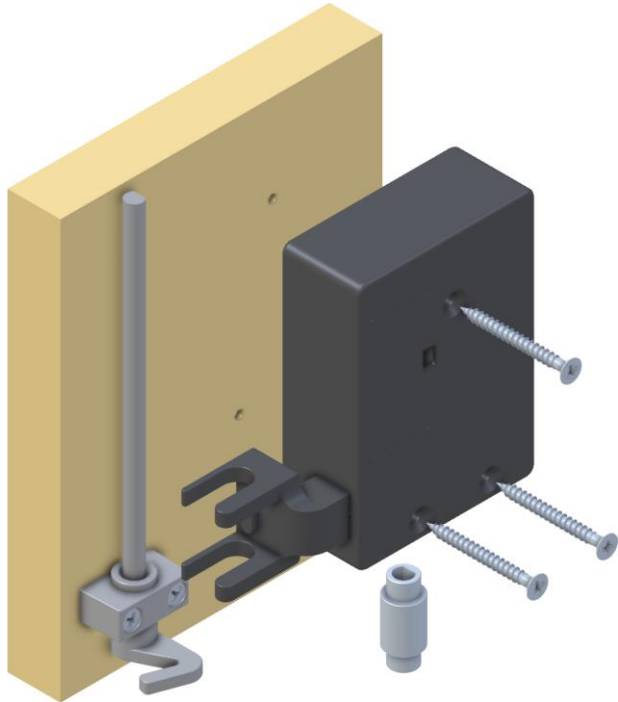
XLOCK 10 LEFT DOOR SHEET METAL INSTALLATION



Attaching the lock

Tighten the screws with care and avoid using a drill or cordless screwdriver

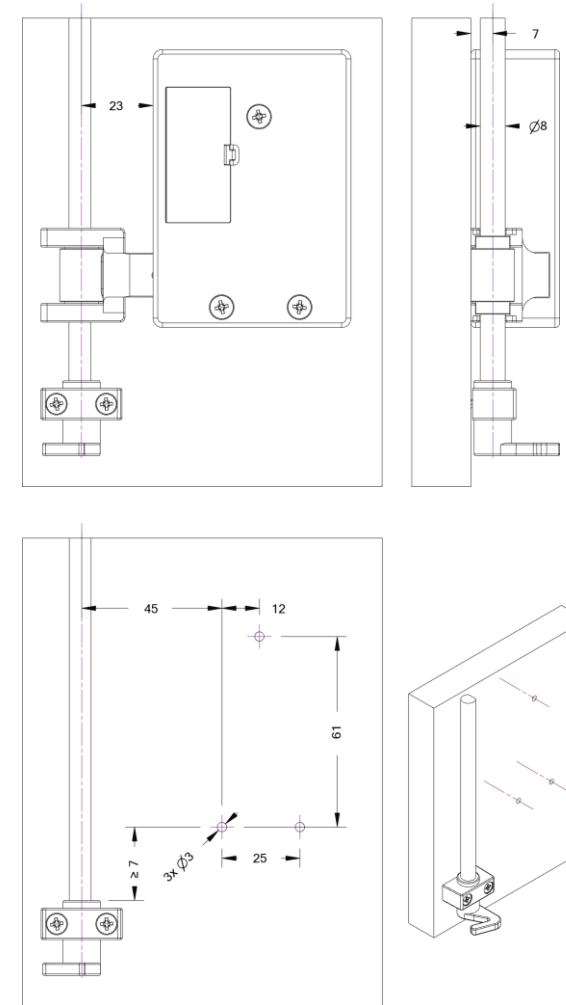
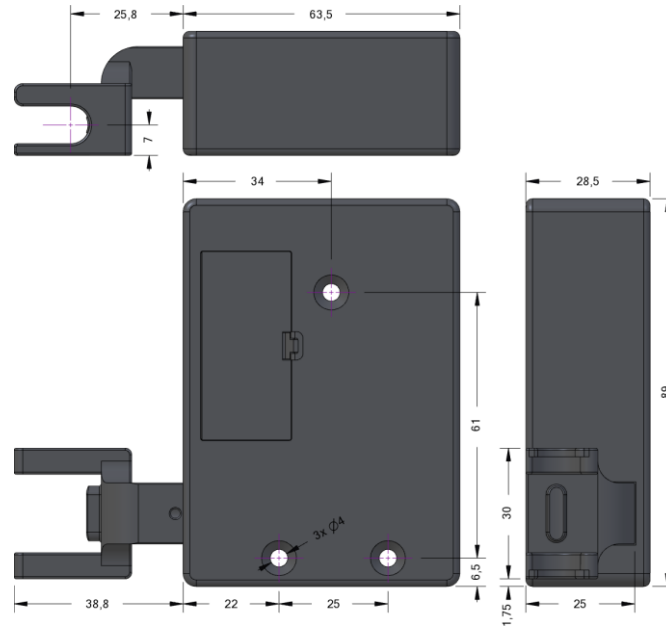
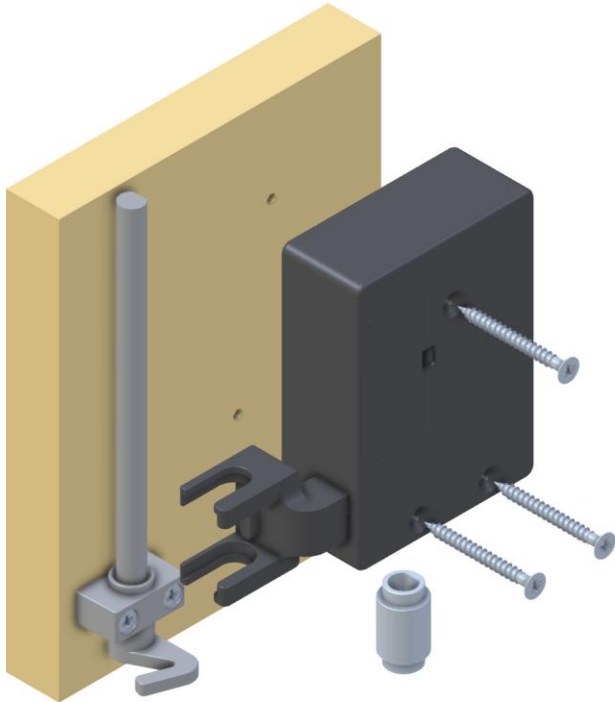
XLOCK 10 ESPAGNOLETTE BLOCKING 6MM bar



Attaching the lock

Tighten the screws with care and avoid using a drill or cordless screwdriver

XLOCK 10 ESPAGNOLETTE BLOCKING 8MM bar



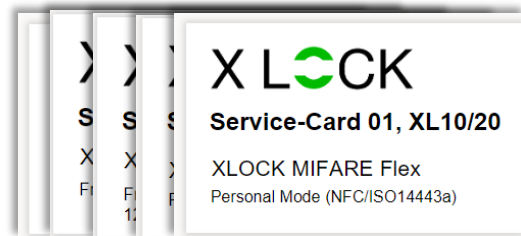
Attaching the lock
Tighten the screws with care and avoid
using a drill or cordless screwdriver

Optional ! Please order seperately.



3 Master Cards

Master cards are unique and will be programmed to each lock for each project/building. These cards are needed to program and delete Service Cards, Emergency Opening Cards and User Transponders. Up to 3 master cards, 5 emergency opening cards and 47 user transponders can be programmed per lock..



Service Card for Personal Mode and Freelocker

With a master card and the service cards 01..... to 10, the lock can be programmed in mode 01.....to mode 10.



Emergency opening Card

A blocked lock can be opened with an emergency opening card - only works with Freelocker Mode 7,8,9 and 10. The lock remains unlocked and can be locked again with the emergency opening card. The user ID that locked the locker remains stored. This means that the user card can open the lock again later.

MifareFlex service cards

X LOCK

Service-Card 01, XL10/20

XLOCK MIFARE Flex
Personal Mode (NFC/ISO14443a)

With a master card and the **service card 01**, the lock can be programmed into **mode 01**. In mode 01 up to 47 transponders (type ISO14443a / NFC) can be programmed per lock. This mode is also called "**Personal Locker**" or "**Fixcode**". The type of locking is called the latch function: Only programmed data carriers can lock and unlock the lock. After an authorised data carrier has been identified, the bolt unlocks and automatically locks again after 4 seconds.

X LOCK

Service-Card 02, XL10/20

XLOCK MIFARE Flex
Personal Mode Toggle (NFC/ISO14443a)

With a master card and the **service card 02**, the lock can be switched to **mode 02** or programmed. In mode 02, up to 47 transponders (type ISO14443a / NFC) can be programmed per lock. This mode is also called "**Personal Locker**" or "**Fixcode**". The type of locking is called the locking function: After an authorised data carrier has been identified, the deadbolt moves to the open position and remains in this position. The next time an authorised data carrier is identified, the latch moves to the closed position and remains in this position.

X LOCK

Service-Card 07, XL30/60

XLOCK MIFARE Flex
Freelocker Mode (Mifare Classic S.10)

With a master card and the **service card 07**, the **Freelocker Mode 07 R/W - sector 10 (free locker selection)** can be activated. In addition, "locker occupied" is written on the transponder. The lock is not automatically unlocked. The lock remains locked.

! Only works with Mifare 4 byte type Classic 1K / and Mifare Classic 4 K transponders !

X LOCK

Service-Card 08, XL30/60

XLOCK MIFARE Flex
Freelocker Mode (Mifare Classic S.10)
12 ☺ Automatik

With a master card and the **service card 08**, the **Freelocker mode 08 R/W - sector 10 (free locker selection)** can be activated. In addition, "locker occupied" is written on the transponder. The lock is automatically unlocked XX hours after the last booking.

! Only works with Mifare 4 byte type Classic 1K / and Mifare Classic 4 K transponders !

MifareFlex service cards

X LOCK

Service-Card 09, XL30/60

XLOCK MIFARE Flex

Freelocker Mode (NFC/ISO14443a)

Freelocker Mode 09 R/W can be activated with a master card and **service card 09**. No information is written to the transponder. The lock is not automatically unlocked. The lock remains locked.

! Mifare Classic 1K (4 + 7 bytes) and Mifare Classic 4K (4 + 7 bytes), Mifare DesFire EV1, Mifare light, LEGIC® advant ATC2048 and ATC4096, NFC (ISO 14443a) can be used !

X LOCK

Service-Card 10, XL30/60

XLOCK MIFARE Flex

Freelocker Mode (NFC/ISO14443a)

12 ⌚ Automatik

Freelocker Mode 10 R/W can be activated with a master card and **service card 10**. No information is written to the transponder. The lock is automatically unlocked XX hours after the last booking.

! Mifare Classic 1K (4 + 7 bytes) and Mifare Classic 4K (4 + 7 bytes), Mifare DesFire EV1, Mifare light, LEGIC® advant ATC2048 and ATC4096, NFC (ISO 14443a) can be used !

MIFARE TRANSPONDER – TYPES

Optional ! Please order seperately.



Keychain
with Transponder



Wristband
with Transponder



Card
with Transponder

ACTIVATION – Insert battery

- 1) Remove battery strip = system active and the RFID field is activated.
- 2) Avoid overlapping reading field of the locks, otherwise the battery will be discharged quickly.
- 3) Do not activate batteries before installation.
- 4) Always isolate or remove batteries for transport!



Battery CR123A, 3V
lithium battery
Always use lithium
batteries!



Open the battery
compartment cover and
insert the batteries with
the correct polarity (+/-).



Battery inserted with
correct polarity ->
system and RFID field is
activated



Close the battery
compartment cover and fix it
with the screw. Your lock is
now ready for operation

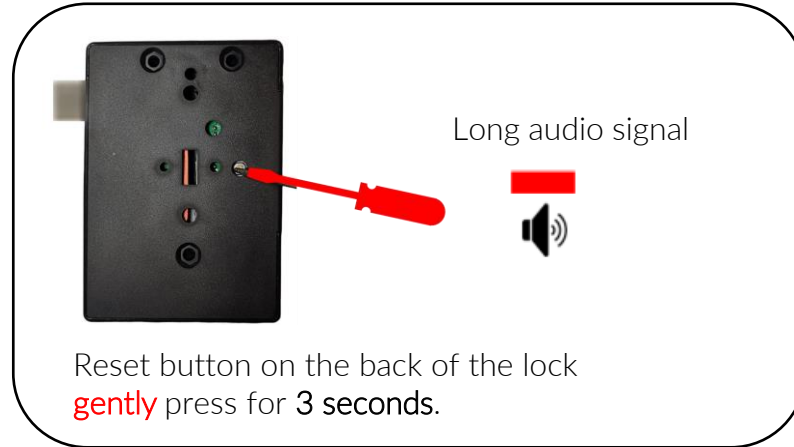
Otherwise
If you ordered the locks
With the battery



Battery strip is pulled
out -> system and RFID
field is activated

Activation – teach in master cards

Reset the lock to the factory settings. This step is not necessary if the locks have never been programmed..

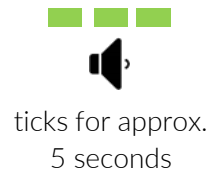


Important:

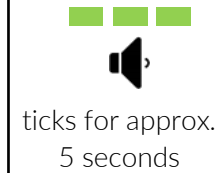
If the reset button is only pressed briefly, the sound is switched off = short signal. If this happens, the reset button must be pressed again briefly = long tone, tone on.



1. **master card** is held up to the antenna field

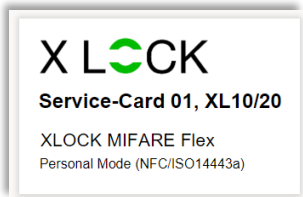


Hold the **2. master card** to the antenna field while it is ticking



Hold the **3. master card** to the antenna field while it is ticking

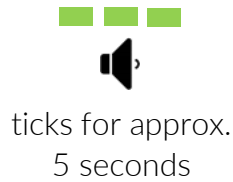
ACTIVATION – service cards and users – teach in transponders



Teach in service cards



Hold the **master card** to the antenna field



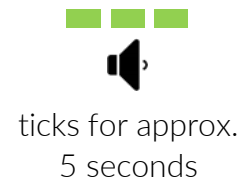
Hold the **service card** against the antenna field, while it is ticking.



User Transponder teach in only possible in mode 1 or 2



Hold the **master card** to the antenna field



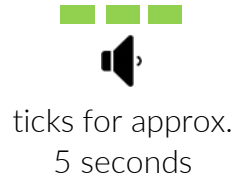
Hold the Transponder against the antenna field, while it is ticking

Emergency opening card programming (Mode 7, 8, 9 & 10)

Emergency opening card programming
Mode 7, 8, 9 & 10



Hold the master card against the antenna field



While ticking, hold the emergency opening card against the antenna field. Repeat the procedure for further emergency opening cards.

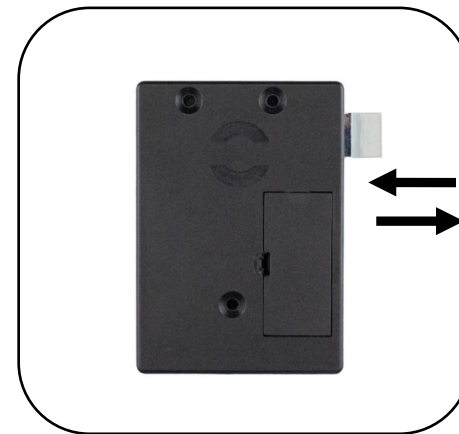
A maximum of 5 emergency opening cards can be programmed in Freelocker mode



Emergency opening with an emergency opening card



Hold the master card against the antenna field



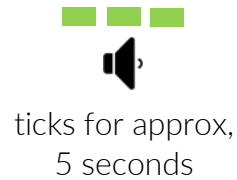
The emergency opening card can be used to unlock and lock the lock (open/close mode).

The latch retracts -> the lock is unlocked.*When you hold the emergency card against the antenna field a second time, the lock locks again.

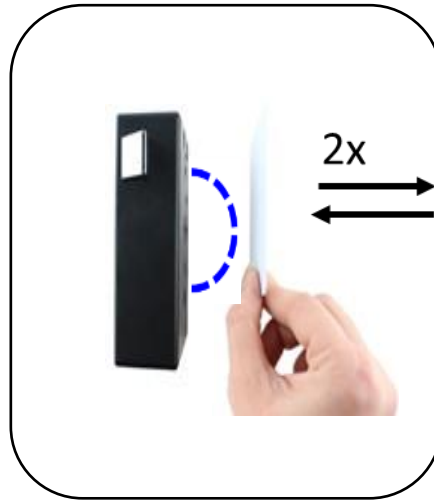
Emergency opening with programming card (general)



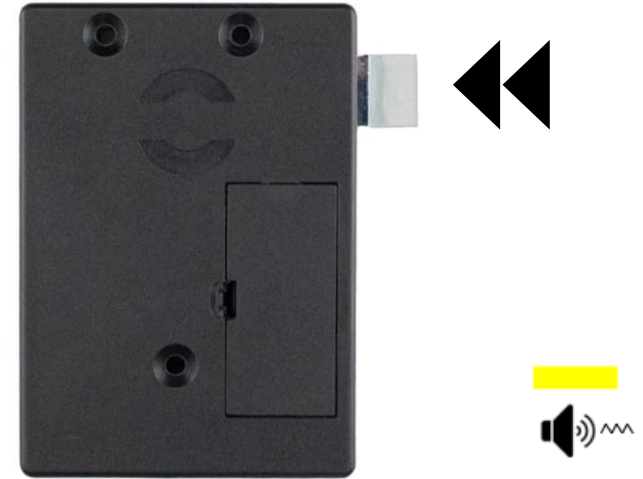
Hold programming card against the antenna field



ticks for approx, 5 seconds



Hold the programming card against the antenna field 2 more times while ticking



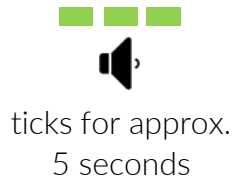
The latch retracts -> **lock unlocked - no longer hold the card towards the antenna field.**

Attention:

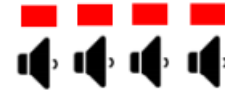
After the lock has been unlocked, the master card should no longer be held up against the antenna field. Otherwise, all master cards will be deleted and must be relearned..

Delete user Transponders

User Transponder individually deleting



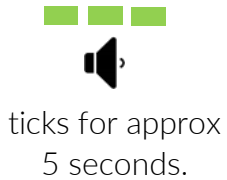
ticks for approx. 5 seconds



Hold the programming card to the antenna field

While it is ticking, hold the transponder up to the antenna field.

All Users Transponder Deleting

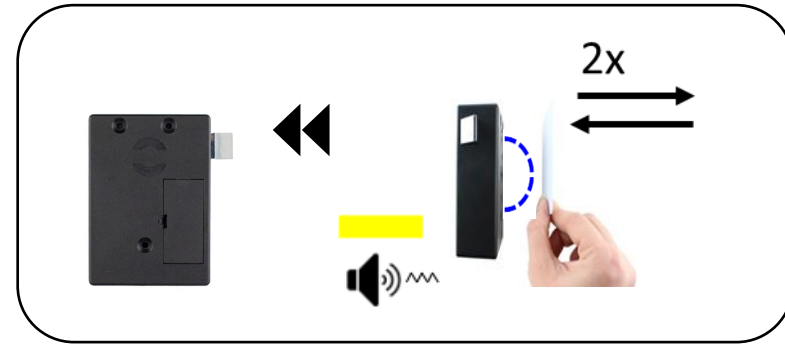


ticks for approx 5 seconds.



Hold the programming card to the antenna field

Hold the programming card against the antenna field 2 more times while ticking.



Verzögerung ca. 4 Sekunden

The latch retracts -> lock unlocked.

Hold the programming card against the antenna field 2 more times while it is ticking. **Remove the card from the antenna field.**

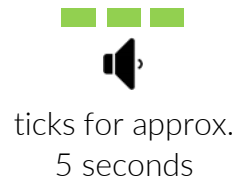
Attention:

Do not hold the master card to the antenna field anymore. Otherwise, all master cards will be deleted and must be taught in again.

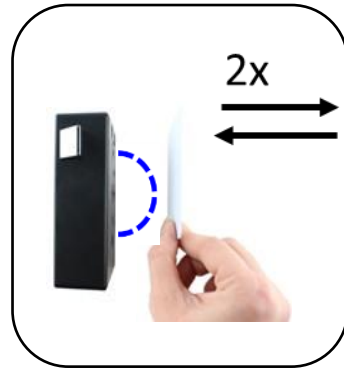
Deleting all master cards



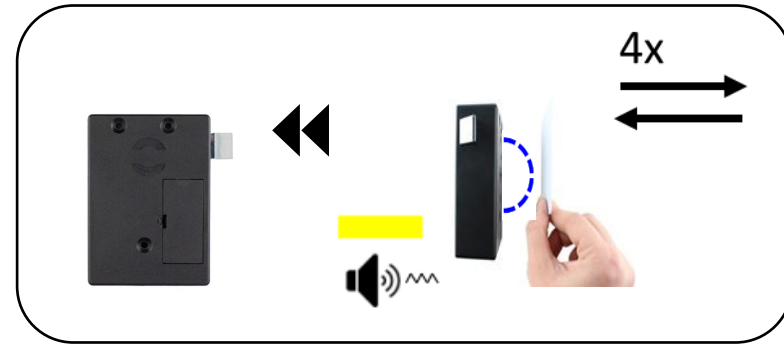
Hold the programming card to the antenna field.



ticks for approx. 5 seconds



Hold the programming card against the antenna field 2 more times while ticking.



The latch retracts -> lock unlocked.

Hold the programming card against the antenna field 4 times while ticking.

The master cards are deleted after a long beep.

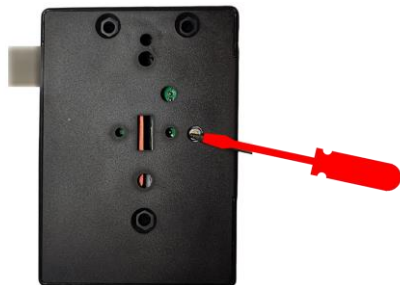
The lock then waits to be programmed with new master cards



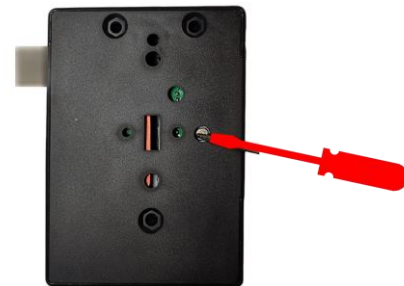
Attention: After deleting the master cards, the lock waits for new programming cards. 1-3 new programming cards must be taught-in!

Reset button | all functions

Switching sound on and off

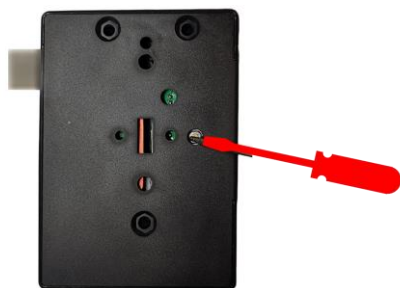


Reset button is pressed briefly for 1 second -> sound on.



Reset button is briefly pressed once for 1 second -> sound off.

Resetting the lock completely

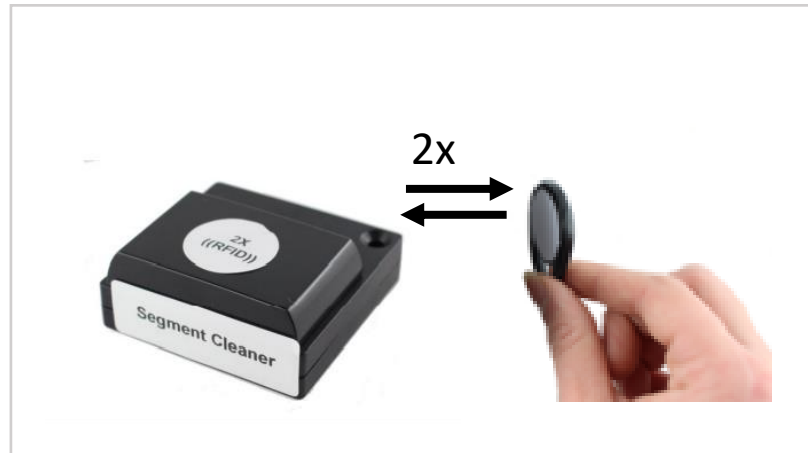


Press the reset button for 3 seconds until a signal sounds..

Important: After a reset, the mode of the lock remains stored.

Optional ! Please order seperately.

Delete the **Freelocker** segment on the transponder: The **Segment Cleaner** can be used to delete the locker number and "Locker locked" on the transponder.



The transponder is held up to the antenna field 2 times.
-> Cabinet number deleted



Optional ! Please order seperately.

If the user has forgot which of the lockers he locked, the locker number can be checked at the info terminal.

To do this, a Mifare Classic transponder (Mifare Classic 1K / Mifare Classic 4K) is held up to the RFID field of the info terminal (see picture).

locking the lock - the cabinet number is saved on the transponder



1 Hold the transponder against the antenna field to lock it.



2. The segment (Sector 10) now contains the cabinet number



3. Hold the transponder against the terminal. The display now shows that the cabinet with the number 2 is occupied.

Unlock lock - locker number is deleted



1. Hold the transponder to the antenna field for unlocking



2. Cabinet number has been deleted on the segment (Sector 10). No more cabinet number on the transponder



3. Read out the locker number on the info terminal. No locker is occupied.

XLOCK

More information and support at
www.xlockgroup.com

XLOCK by data mobile

Landstrasse 35-39

AUT - 6911 Lochau

info@xlockgroup.com

www.xlockgroup.com